

**Electric Vehicle Charging
Station
2 x 22 kW
SIAE-2P-T32-02**



MANUFACTURED IN
ROMANIA

The charging station represents the second version of SIAE-2P-T32. Due to its pedestal form, is the perfect fit for any location: markets, hotels, private parking, factories, warehouses, hospitals, schools etc.

PRODUCT FEATURES

- built according to SR EN 61851-1 and SR EN 61439-1
- 2 charging posts, both equipped with anti vandal sockets
- LED technology
- IP54 ingress protection
- corrosion resistant
- easy to install and maintain
- 2 x 22KW AC charging capacity
- type 2 sockets
- RFid technology
- GSM communication - optional
- energy monitoring system for each post - optional
- anti vandal case, IK10 impact protection



IP 54
Ingress Protection



LED
Technology



Type 2
Sockets



IK10
Impact Protection



RF id

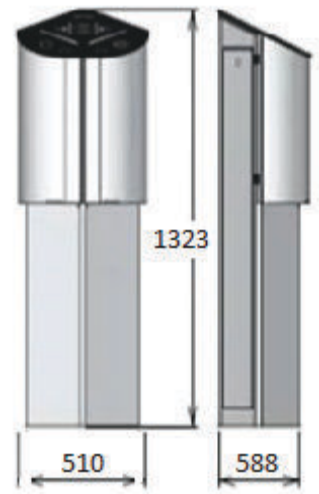


GSM
Communication



SPECIFICATIONS

- Dimensions: 510x1323x588 (LxHxD)
- Standard color: RAL 5012 electrostatic field painted
- Case material: stainless steel
- Working temperature: -25°C ÷ 50°C
- Power: 2 x 22KW AC, mode 3 case B
- Maximum current for each post: 32A
- Mains voltage: 400AC/50hz (3 Phase)
- Overload and short circuit protection
- AC and DC Residual Current Protection Devices
- Automatic Recloser Auxiliary for the triggered RCD, after the EV was safely disconnected from the charging station
- Power surge protection
- Easy to be customized with the logo of the costumer



TECHNICAL CONSULTING

- Evaluating the technical conditions for the installation of the charging station by filling in a form
- Free of charge check up after 6 months
- The installation and the maintenance of the charging station on the costumer request

EXW PRICE OF THE PRODUCT WITHOUT OPTIONALS

- 4950 € without VAT

Electrical equipment plant contact:
t: +40372 946 953; +40254 268 059
f: +40254 545 444
emobility@euroelectric.ro

EUROELECTRIC
Baru,337035, HD|RO

www.euroelectric.ro

**Electric Vehicle Charging
Station
2 x 22 kW
SIAE-2P-T32-03**



MANUFACTURED IN
ROMANIA



The charging station represents the third version of SIAE-2P-T32. Its dynamic form allows to be installed on the wall of the markets, hotels, private parking, factories, warehouses etc.



PRODUCT FEATURES

- built according to SR EN 61851-1 and SR EN 61439-1
- 2 available charging posts
- LED technology
- IP54 ingress protection
- corrosion resistant
- easy to install and maintain
- 2 x 22 KW AC charging capacity
- type 2 sockets
- RFid technology
- GSM communication - optional
- energy monitoring system for each post - optional
- anti vandal case, IK10 impact protection



IP 54
Ingress Protection



LED
Technology



Type 2
Sockets



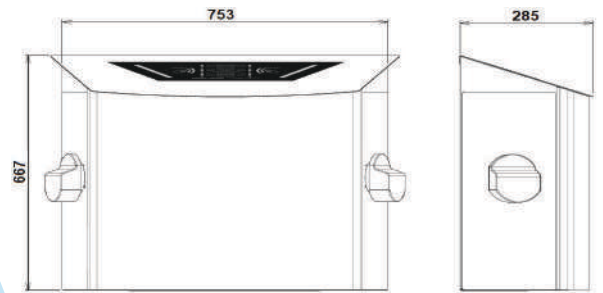
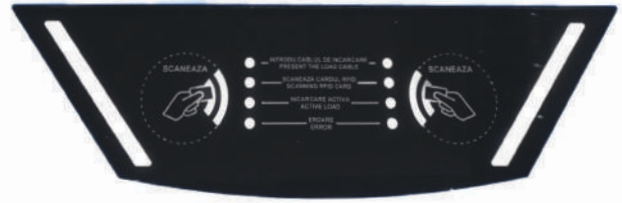
IK10
Impact Protection



RF id



GSM
Communication



SPECIFICATIONS

- Dimensions 753x667x285 (LxHxD)
- Standard color: RAL 5012 electrostatic field painted
- Case material: stainless steel
- Working temperature: $-25^{\circ}\text{C} \div 50^{\circ}\text{C}$
- Power: 2 x 22KW AC, mode 3 case B
- Maximum current for each post: 32A
- Mains voltage: 400AC/50hz (3 Phase)
- Overload and short circuit protection
- AC and DC Residual Current Protection Devices
- The place of installation: On the wall
- Easy to be customized with the logo of the costumer

TECHNICAL CONSULTING

- Evaluating the technical conditions for the installation of the charging station by filling in a form
- Free of charge check up after 6 months
- The installation and the maintenance of the charging station on the costumer request

EXW PRICE OF THE PRODUCT WITHOUT OPTIONALS

- 3800 € without VAT

Electrical equipment plant contact:
t: +40372 946 953; +40254 268 059
f: +40254 545 444
emobility@euroelectric.ro

EUROELECTRIC
Baru,337035, HD|RO

www.euroelectric.ro



PRODUCT CERTIFICATION
BODY
CEPROM-CERT

CEPROM[®] S.A.

440240 Satu Mare, Str. Fântânele, f.n., România
tel. +40.0361.804795; fax +40.0361.804796
www.ceprom.ro; e-mail: ceprom@ceprom.ro

CERTIFICATE OF CONFORMITY

No. 1823-CT-32020

Technical File no.: 1823-CT-32020

Applicant: S.C. EUROELECTRIC S.R.L. 337035 Baru, Principală street, no. 405/C, Hunedoara county, Romania	Manufacturer: S.C. EUROELECTRIC S.R.L. 337035 Baru, Principală street, no. 405/C, Hunedoara county, Romania
---	--

Description of product:

Product type: **ELECTRIC VEHICLE CHARGING STATION**

Models: **SIAE-2P-32-02, SIAE-2P-T32-03**

Certification procedure: **TYPE CERTIFICATION (Scheme 1a, cf. EN ISO/CEI 17067:2013)**

Reference standards: **SR EN 61851-1:2014, SR EN 61851-22:2003, SR EN 55032:2015,
SR EN 61000-4-2:2009, SR EN 61000-4-4:2013, SR EN 61000-4-5:2015**

Based on our assessment we confirm that the Technical File of the product is in accordance with the technical requirements of the above standards and hence fulfils the technical requirements of the

Low Voltage Directive 2014/35/EU

Electromagnetic Compatibility Directive 2014/30/EU

The CE mark as show joined can be used, under the responsibility of the manufacturer or the importer, after completion of the CE Declaration of Conformity and in accordance with the above directives.



This certificate is only valid for the product and configuration described (annex), in conjunction with the detailed test data and with all applicable legal requirement for the product.

Maintaining certification is based on compliance with the requirements of certification contract.

Annex: Product identification – 2 pages

Issuing Date: 27.07.2020

Expiry Date: 26.07.2025



EUROPEAN UNION

Satu Mare, România

GENERAL MANAGER

eng. Iosif PINK



CEPROM-CERT Manager

eng. Vasile ZELE

